

SPECIFICATION

LWP - CAFÉ RHS

QUANTITY: 1

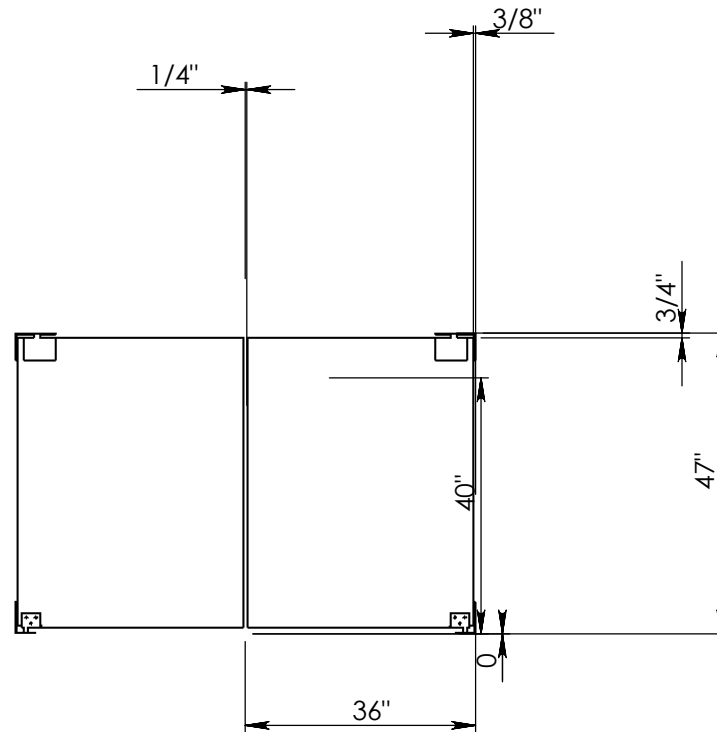
FINISHED OPENING SIZE:
72" W X 47" H
REGULAR

DOOR COLOR:
ALUMINUM

WINDOW: " X "
NONE

HINGE: EZ SWING

JAMB GUARD: NONE
MATERIAL:
GASKETS: NO



Approved By:

Signature:

TAG:



Ph: 800-828-3655
Fx: 800-828-3577
www.eliasoncorp.com

PROPRIETARY AND CONFIDENTIAL
THE INFORMATION CONTAINED IN THIS
DRAWING IS THE SOLE PROPERTY OF
ELIASON CORP. ANY REPRODUCTION
IN PART OR AS A WHOLE WITHOUT THE
WRITTEN PERMISSION OF ELIASON
CORP. IS PROHIBITED.

SOLD TO:

PROJECT:

ORDER #:

PO #:

SPECIFICATION

LWP - CAFÉ LHS

QUANTITY: 1

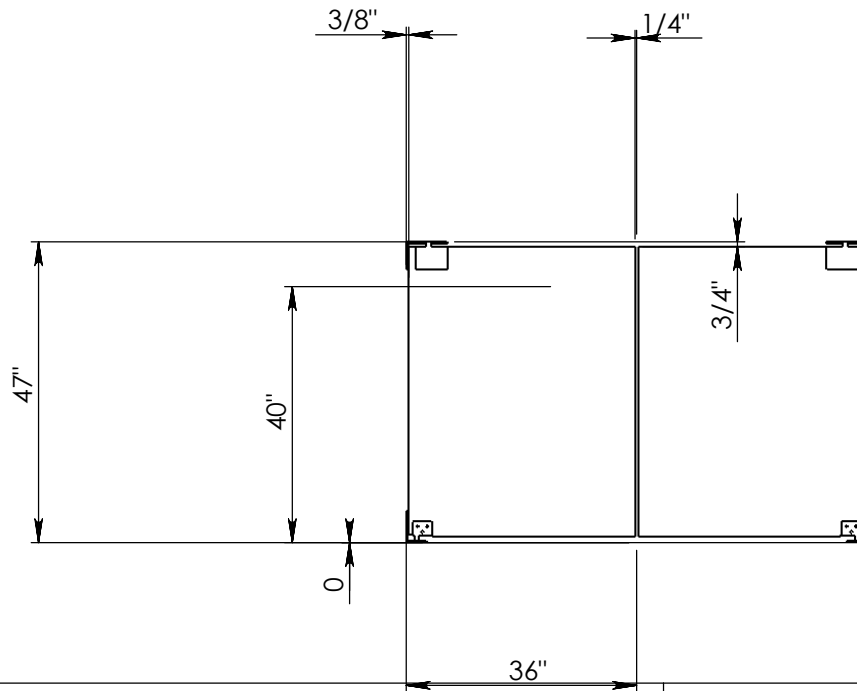
FINISHED OPENING SIZE:
72" W X 47" H
REGULAR

DOOR COLOR:
ALUMINUM

WINDOW: " X "
NONE

HINGE: EZ SWING

JAMB GUARD: NONE
MATERIAL:
GASKETS: NO



Approved By:

Signature:

TAG:



Ph: 800-828-3655
Fx: 800-828-3577
www.eliasoncorp.com

PROPRIETARY AND CONFIDENTIAL
THE INFORMATION CONTAINED IN THIS
DRAWING IS THE SOLE PROPERTY OF
ELIASON CORP. ANY REPRODUCTION
IN PART OR AS A WHOLE WITHOUT THE
WRITTEN PERMISSION OF ELIASON
CORP. IS PROHIBITED.

SOLD TO:

PROJECT:

ORDER #:

PO #:

SPECIFICATION

LWP - CAFÉ D

QUANTITY: 1

FINISHED OPENING SIZE:
72" W X 47" H
REGULAR

DOOR COLOR:
ALUMINUM

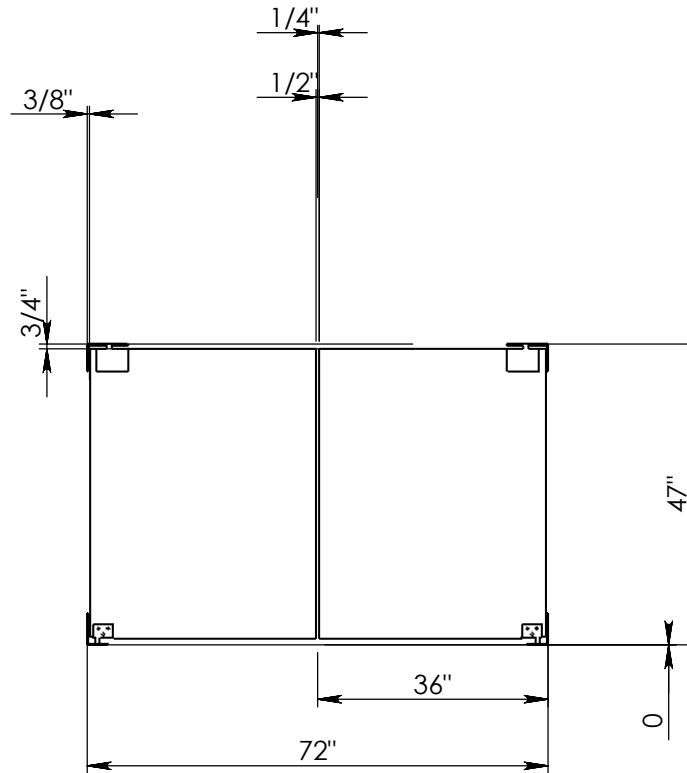
WINDOW: " X "

NONE

HINGE: EZ SWING

JAMB GUARD: NONE

MATERIAL:
GASKETS: NO



SCALE:1:30

Approved By:

Signature:

TAG:



Ph: 800-828-3655
Fx: 800-828-3577
www.eliasoncorp.com

PROPRIETARY AND CONFIDENTIAL
THE INFORMATION CONTAINED IN THIS DRAWING IS THE SOLE PROPERTY OF ELIASON CORP. ANY REPRODUCTION IN PART OR AS A WHOLE WITHOUT THE WRITTEN PERMISSION OF ELIASON CORP. IS PROHIBITED.

SOLD TO:

PROJECT:

ORDER #:

PO #: