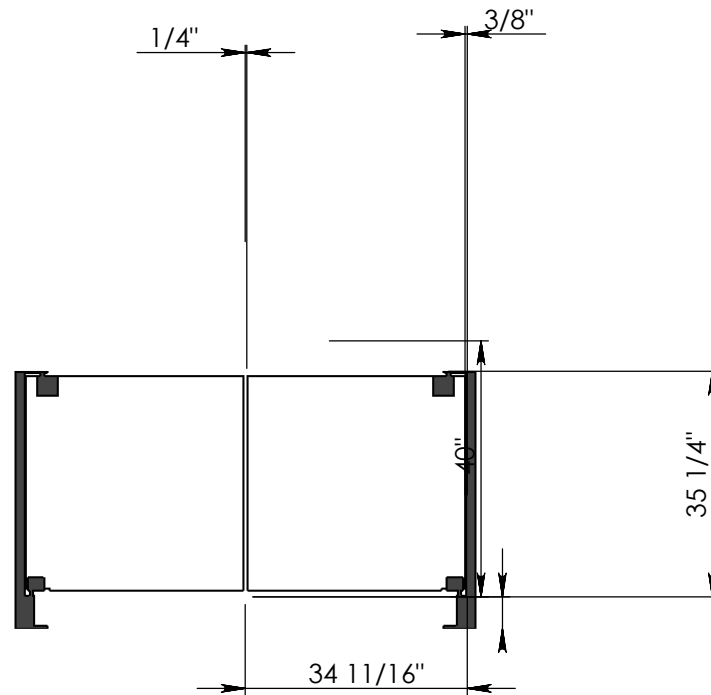


SPECIFICATION

Door Body: Polymer cell core with .5" solid ABS frame, 0.75" total door thickness
 Finish: 0.100" thick high impact thermoplastic exterior

P-11 PLUS - CAFÉ RHS



QUANTITY: 1
FINISHED OPENING SIZE: 69.375" W X 35.25" H REGULAR
DOOR COLOR: PLEASE ADVISE
WINDOW: " X " NONE
HINGE: EZ SWING
JAMB GUARD: NONE MATERIAL: GASKETS: NO
GATE POST

Approved By:

Signature:

TAG:



Ph: 800-828-3655
Fx: 800-828-3577
www.eliasoncorp.com

PROPRIETARY AND CONFIDENTIAL
 THE INFORMATION CONTAINED IN THIS DRAWING IS THE SOLE PROPERTY OF ELIASON CORP. ANY REPRODUCTION IN PART OR AS A WHOLE WITHOUT THE WRITTEN PERMISSION OF ELIASON CORP. IS PROHIBITED.

SOLD TO:
PROJECT:
ORDER #:

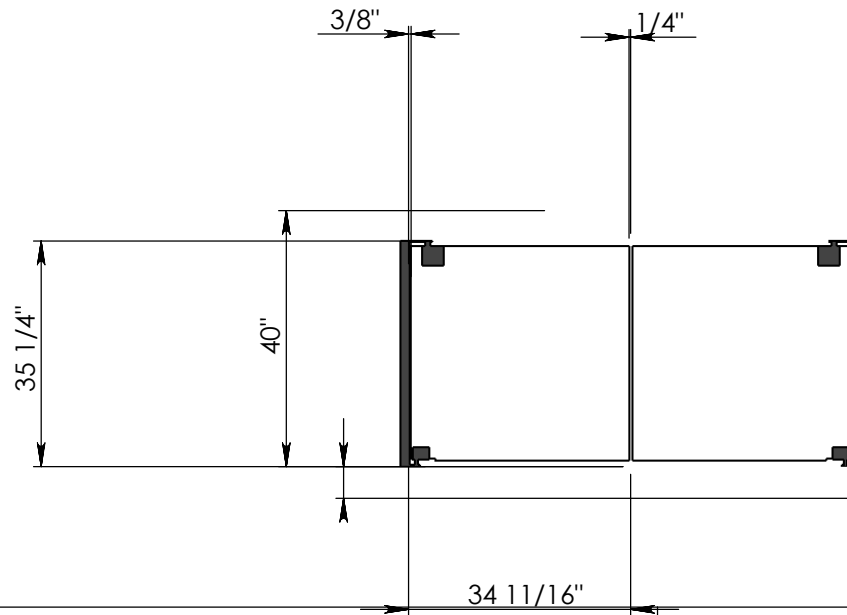
PO #:

SPECIFICATION

P-11 PLUS - CAFÉ LHS

Door Body: Polymer cell core with .5" solid ABS frame, 0.75" total door thickness
 Finish: 0.100" thick high impact thermoplastic exterior

QUANTITY: 1
 FINISHED OPENING SIZE: 69.375" W X 35.25" H REGULAR
 DOOR COLOR: PLEASE ADVISE
 WINDOW: " X "
 NONE
 HINGE: EZ SWING
 JAMB GUARD: NONE
 MATERIAL:
 GASKETS: NO



GATE POST

Approved By:

Signature:

TAG:



Ph: 800-828-3655
 Fx: 800-828-3577
www.eliasoncorp.com

PROPRIETARY AND CONFIDENTIAL
 THE INFORMATION CONTAINED IN THIS DRAWING IS THE SOLE PROPERTY OF ELIASON CORP. ANY REPRODUCTION IN PART OR AS A WHOLE WITHOUT THE WRITTEN PERMISSION OF ELIASON CORP. IS PROHIBITED.

SOLD TO:

PROJECT:

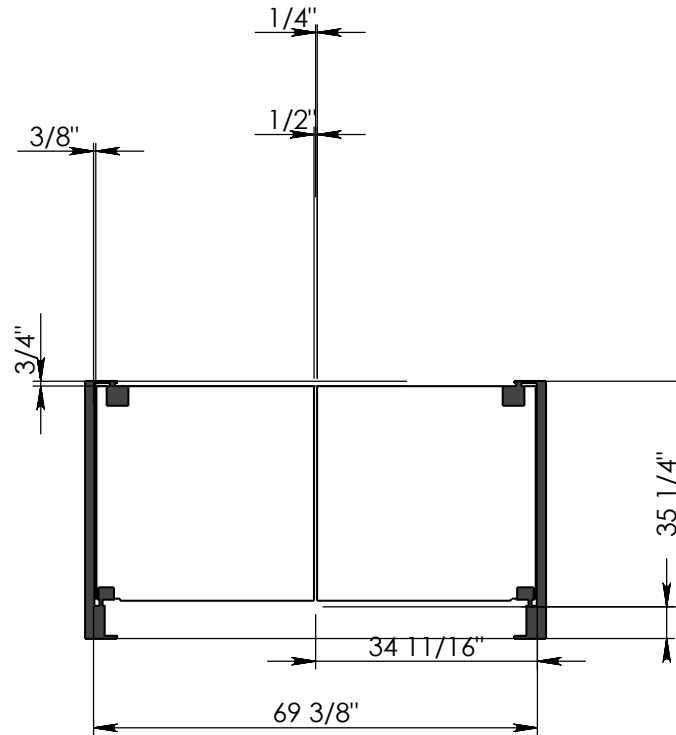
ORDER #:

PO #:

SPECIFICATION

P-11 PLUS - CAFÉ D

Door Body: Polymer cell core with .5" solid ABS frame, 0.75" total door thickness
 Finish: 0.100" thick high impact thermoplastic exterior



QUANTITY: 1
FINISHED OPENING SIZE: 69.375" W X 35.25" H REGULAR
DOOR COLOR: PLEASE ADVISE
WINDOW: " X " NONE
HINGE: EZ SWING
JAMB GUARD: NONE MATERIAL: GASKETS: NO
GATE POST

SCALE:1:30

Approved By: _____

Signature: _____

TAG: _____



Ph: 800-828-3655
Fx: 800-828-3577
www.eliasoncorp.com

PROPRIETARY AND CONFIDENTIAL
 THE INFORMATION CONTAINED IN THIS DRAWING IS THE SOLE PROPERTY OF ELIASON CORP. ANY REPRODUCTION IN PART OR AS A WHOLE WITHOUT THE WRITTEN PERMISSION OF ELIASON CORP. IS PROHIBITED.

SOLD TO: _____
PROJECT: _____
ORDER #: _____

PO #: _____