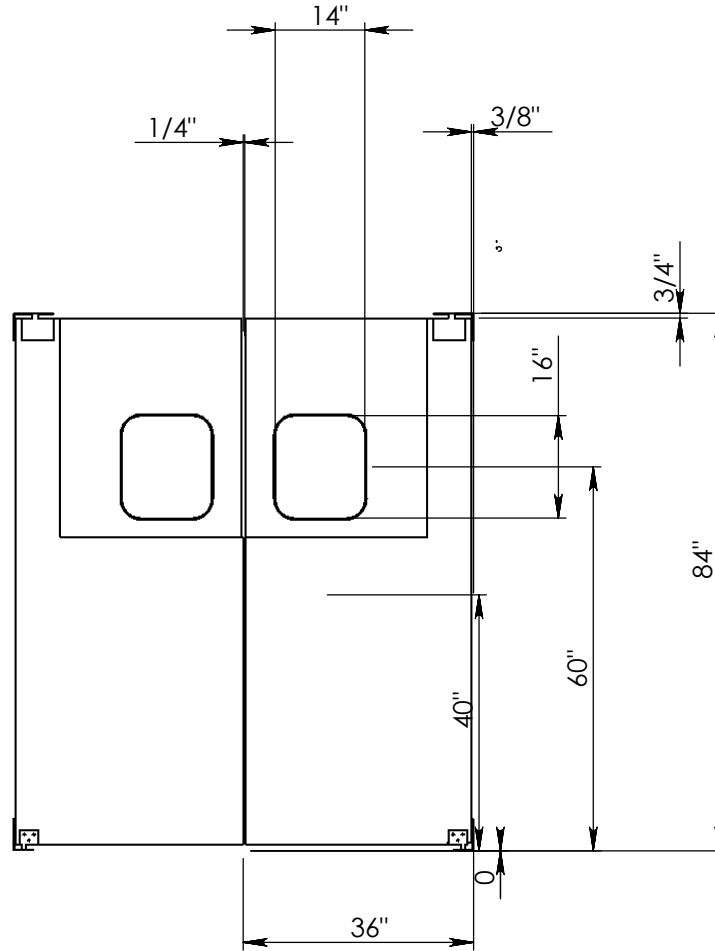


SPECIFICATION

Door Body: 0.70" total door thickness throughout the impact area, 0.20" thick (double ply 1/8" ABS material) in window area. Finish: Surface: Textured surface (both sides)

**PMP - 2
RHS**



QUANTITY: 1
FINISHED OPENING SIZE: 72" W X 84" H REGULAR
DOOR COLOR: PLEASE ADVISE
WINDOW: 14" X 16" SINGLE PANE BLACK RUBBER MOLDING CLEAR ACRYLIC
HINGE: EZ SWING
JAMB GUARD: NONE MATERIAL: GASKETS: NO

Approved By:

Signature:

TAG:



Ph: 800-828-3655
 Fx: 800-828-3577
www.eliasoncorp.com

PROPRIETARY AND CONFIDENTIAL
 THE INFORMATION CONTAINED IN THIS DRAWING IS THE SOLE PROPERTY OF ELIASON CORP. ANY REPRODUCTION IN PART OR AS A WHOLE WITHOUT THE WRITTEN PERMISSION OF ELIASON CORP. IS PROHIBITED.

SOLD TO:	
PROJECT:	
ORDER #:	
PO #:	

