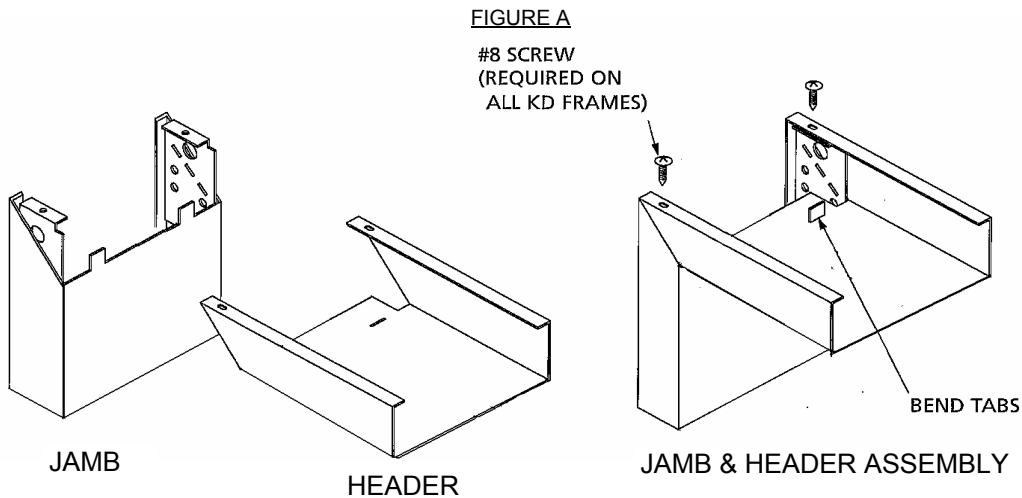


INSTALLATION INSTRUCTIONS

3 PIECE KNOCK DOWN MK FRAMES

****IMPORTANT****

MAKE SURE ON SINGLE DOOR OPENINGS THAT THE PRE-DRILLED HOLES FOR THE HARDWARE (HEADER AND HINGE SIDE) ARE LOCATED ON THE SAME SIDE OF THE JAMB.



INSTRUCTIONS:

1. Assemble frame per figure A.
2. Place tube spacers (4 per side; 8 total) inside frame per figure B. Align tube spacer with pre-punched holes.
3. Position assembled frame into rough opening.
4. Drill 3/8" hole into rough opening using the pre-punched holes in the frame as a template.
5. Insert the supplied expansion screw (4 per side; 8 total) into each pre-punch hole and through the pipe spacer per figure C and secure.

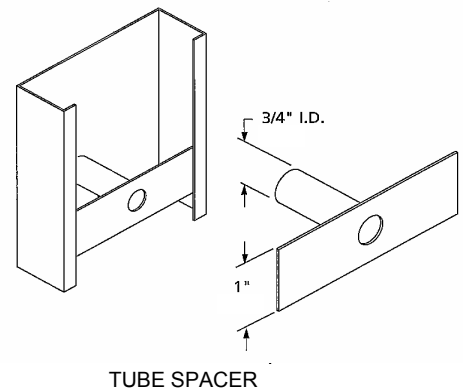
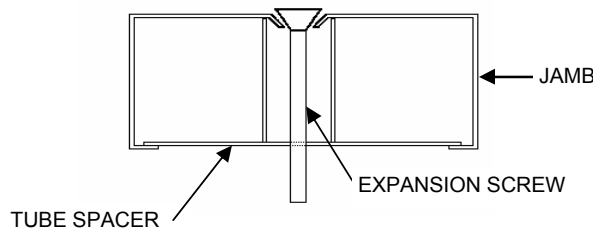


FIGURE C



***NOTE:** Frames must be painted to prevent rusting.

Eliason Corporation **Easy Swing**® Impact Doors

website: www.eliasoncorp.com

P.O. Box 2128, Kalamazoo, MI 49003

Phone: 800-828-3655 / 269-327-7003

Fax: 800-828-3577 / 269-327-7006

email: doors@eliasoncorp.com

P.O. Box 1026, Woodland, CA 95776

Phone: 800-828-2655 / 530-662-5494

Fax: 800-662-5192 / 530-662-5192

email: doors@eliasonwest.com